

/ Questionnaire

/Data:

/ customer:			
/ address:			
E-mail:			
Contact information:			/ tel:
	/ Position:	E-mail:	
	2.		/ tel:
	/ position:	E-mail:	

what do you need information about moisture?	/ For

measuring material:	/ Description of
Magnetic components presence. Range	? /
/ Material	/ from % / to %

	/ Particle size, mm:
/ from	/ to

/ Density:	/ from	/ to
density?	/No	/Yes
	? / Is there a high deviation of	
	/ belt-conveyor weigher?	/ No /

/ Moisture range			
/ operational: %	/ from / to	/ Maximum: %	/ up to
mean value: %		/ Accuracy required: %	

/ Material transportation quantity			
/ typical:		/ range:	

/ Material transportation height			
/ operational range:		/ maximum range:	

/ Temperature			
operational range °C:	°C /	°C / maximum range °C:	

/ Conveyor-belt information	
/ Material:	
/ Thickness:	
/ Width:	
/ Length:	
/ Velocity:	
Cord material () /	
conveyor antistatic? / Is	/ Yes / No

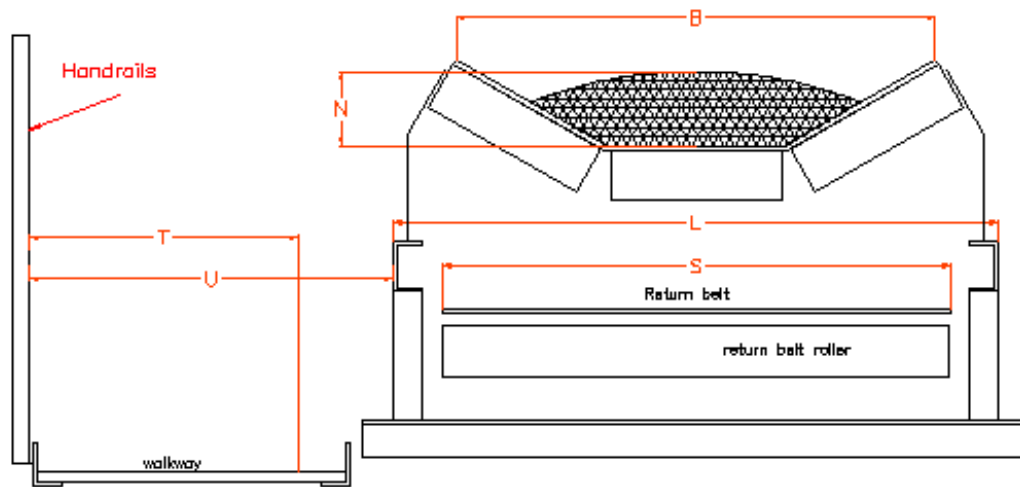
/ integration interval			
1 / minute:	2 / minutes:	5 / minutes:	/ no:

/ dust-ignition-proof construction required	
/ Yes:	/ No:

Additional information

dimensions of your conveyor

/ Please specify all the



Conveyor no. / Конвейер №	
Belt Construction Material / Материал	
Distance Between Idlers (L) / Расстояние между направляющими	
Flat (Return) Belt Width (S) / Ширина ленты в развернутом состоянии	
Curved Belt Width (B) / Ширина ленты в проекции	
Bed Depth (N) / Высота насыпи	
Walkway (V) / Проход	
Clearance required in walkway (T) / Расстояние, необходимое для прохода	

/ Signature _____